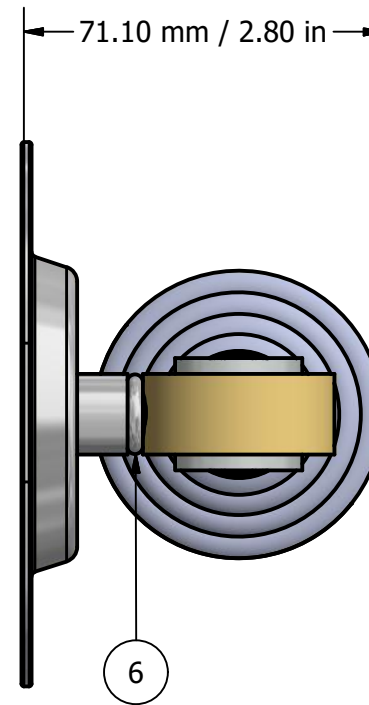
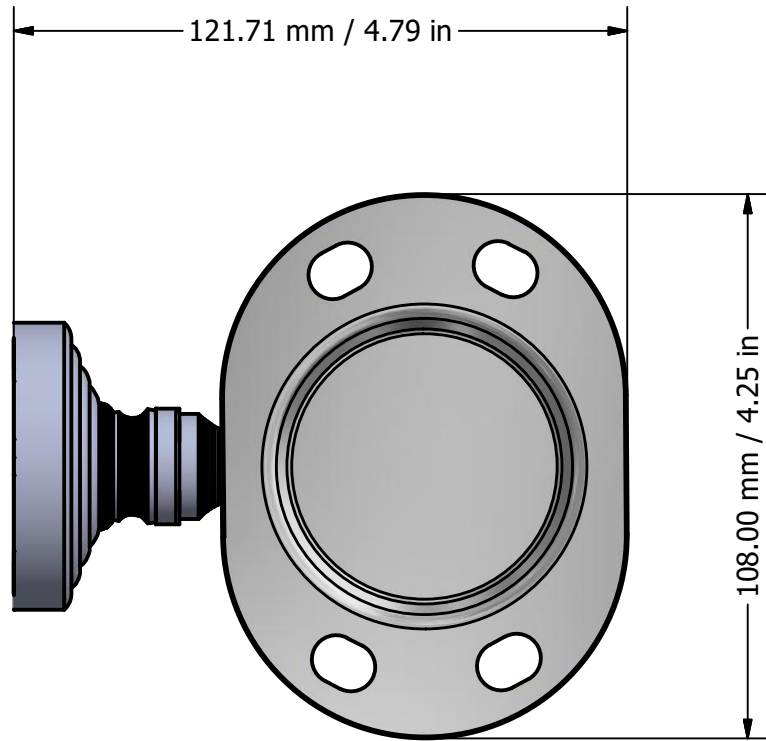
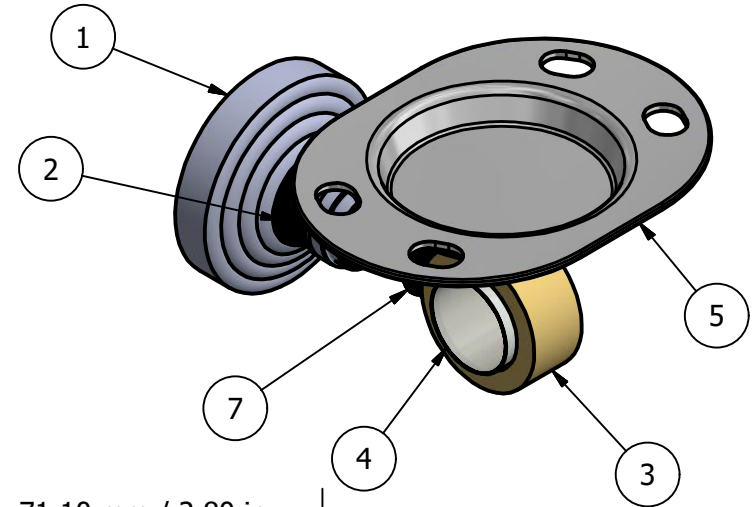


2

1

PARTS LIST

ITEM	QTY	PART NUMBER	DESCRIPTION
1	1	BPWV	BACKPLATE
2	1	NKSL-58	NECK
3	1	RGSM-D-1	RING WITH NEW SIZE
4	1	AC-HHUB	ACRYLIC POST
5	1	HROVT	HOLDER
6	1	CRRD-12	CHECK RING
7	1	NKSL-1.25	NECK



APPROVED FOR PRODUCTION

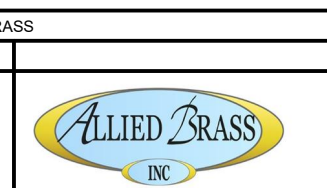
By: RICHARD PAUL
Date: 10-15-18

UNLESS OTHERWISE SPECIFIED	
.X	± .3mm
.XX	± .15mm
.XXX	± .008mm

UNIT IS IN MM.

DRAWN	10-15-18	IM	CHECKED	10-15-18	P.D.	APPROVED	10-15-18	R.A.
COPYRIGHT @ALLIEDBRASS 2018			THIRD ANGLE PROJECTION					

MATERIAL:	BRASS
DESCRIPTION:	Pacific Grove Collection Tumbler and Toothbrush Holder



FINISH	TBD
QTY	TBD
DRAWING NO.	PG-26
SCALE	1.5:1
SHEET	1 OF 1
REV	0

2

1